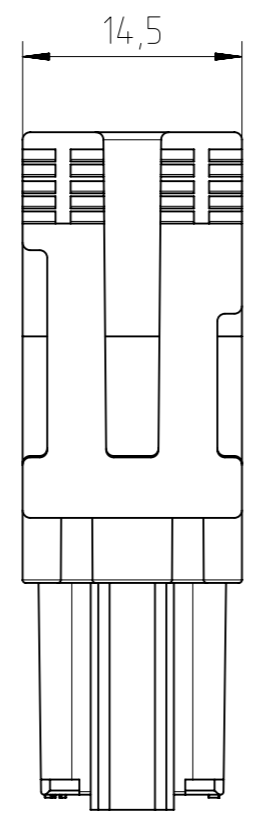
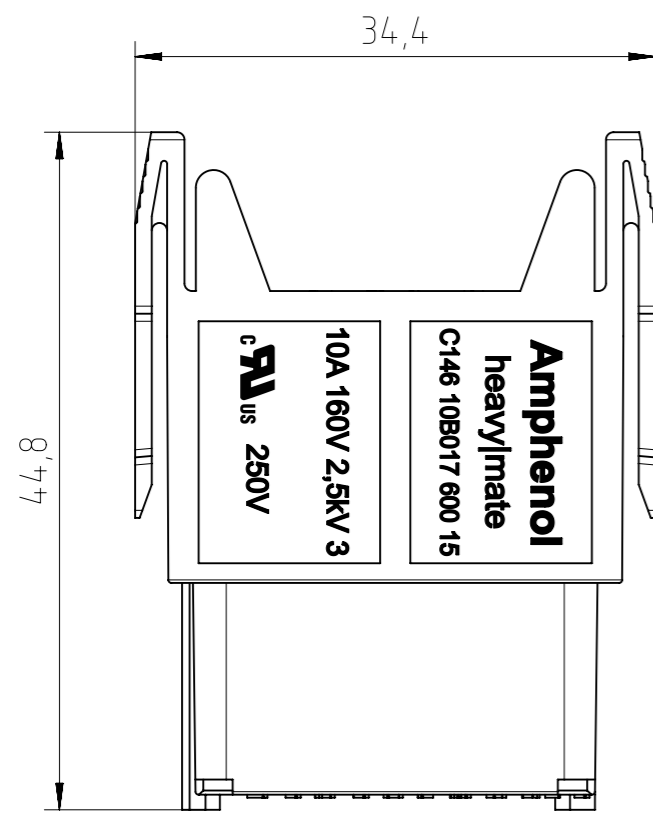
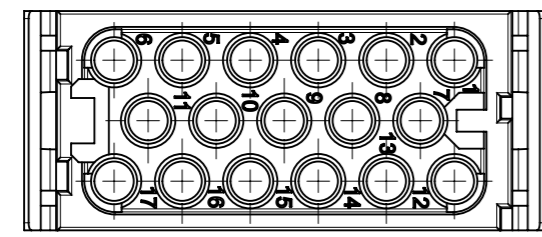
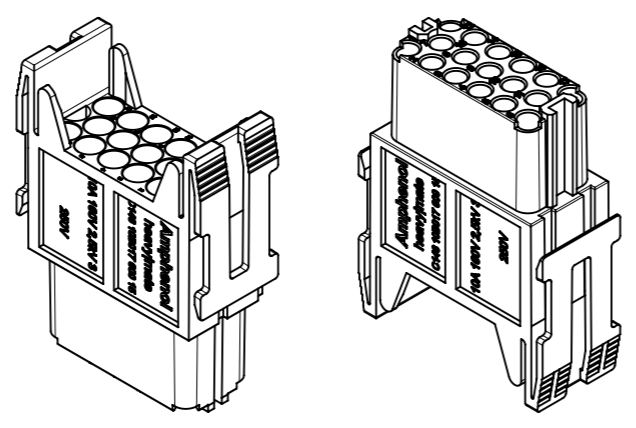


Characteristics



General Characteristics	Standard	Value
number of contacts		17
termination technique		crimp
wire gauge		0,14 mm ² - 2,5 mm ² AWG 26 - AWG 14
max. insulation diameter		3,7 mm
flammability	UL 94	V-0
Electrical Characteristics	Standard	Value
rated voltage	IEC 60664-1	160 V (UL/CSA: 250 V)
pollution degree	IEC 60664-1	3
installation (overvoltage) category	IEC 60664-1	3
material group	IEC 60664-1	1
rated impulse withstand voltage	IEC 60664-1	2,5 kV
rated current T _{amb} = 40 °C		10 A
current carrying capacity	IEC 60512-5-2	see derating curve
contact resistance	IEC 60512-2-1	≤ 5 mΩ
insulation resistance	IEC 60512-3-1	≥ 10 ¹⁰ Ω
Climatical Characteristics	Standard	Value
climatic category	IEC 60068-1	40 / 125 / 10
upper temperature	IEC 60512-11-9	+125 °C
lower temperature	IEC 60512-11-10	-40 °C
Mechanical Characteristics	Standard	Value
mechanical operation	IEC 60512-9-1	≥500 mating cycles/ ≥2000 mating cycles with special contact plating
Materials	Standard	Value
insert		PA-GF
contacts		CuZn (brass)
contact plating		Ag (silver)/Au (gold)
color		black

Gewicht (errechnet) / Calc WT: 10,2 g		Zul. Abw./Tolerances:		Maßstab / Scale: 2:1 (1:1)		A3	
Prüfmaß / Testdimension		ISO 2768-m		DIN / ISO 13715		CUSTOMER DRAWING	
Teileindex / Partindexnumber:		Bagatelle change:		Gez. Drawn: 09.10.2015 PWOELFFLE		Buchsenmodul 17-Pol	
				Status: Released		socket module 17 pole	
				Gepr. Checked: 08.09.2017 MGRIMM			
03	201700257	30.08.2017	PWÖLF	Amphenol Tuchel Industrial GmbH		M C146 10B017 600 15	
02	201600736	27.10.2016	PWÖLF				
01	201500704	09.10.2015	PWÖLF				
Index	Änderung / Description	Datum / Date	Name	Ers. f. / Replacement for: M-C146 10B017 500 15 Rev.01		Blatt / Sheet 1 of 1	

Alle technischen Daten wurden unter Laborbedingungen ermittelt und können im Praxisbetrieb abweichen. Es handelt sich bei den Angaben weder um Beschaffenheits- noch um Haltbarkeitsgarantien. All technical data have been measured in a laboratory environment and can be different during practical usage of the product. Any product information is for descriptive usage only and not legally binding, particularly the information does not constitute or provide any legal guarantees ("Beschaffenheitsgarantie" or "Haltbarkeitsgarantie").

Copying of this document and giving it to others and the use or communication of the contents thereof, are forbidden without express authority. Offenders are liable to the payment of damages. All rights are reserved in the event of the grant of a patent or the registration of the utility model or design.

Weitergabe sowie Vervielfältigung dieser Unterlage, Verwertung und Mitteilung ihres Inhalts nicht gestattet, soweit nicht ausdrücklich zugestanden. Zuwiderhandlungen verpflichten zu Schadenersatz. Alle Rechte für den Fall der Patenterteilung oder Gebrauchsmuster-Eintragung vorbehalten.